

# Badge Hardware

## Pressure-sensitive hardware

We offer our best-selling and new hardware with pressure-sensitive adhesive backing. Simply peel back the liner, and the adhesive bonds to the badge blank without chemical or heat fusing.

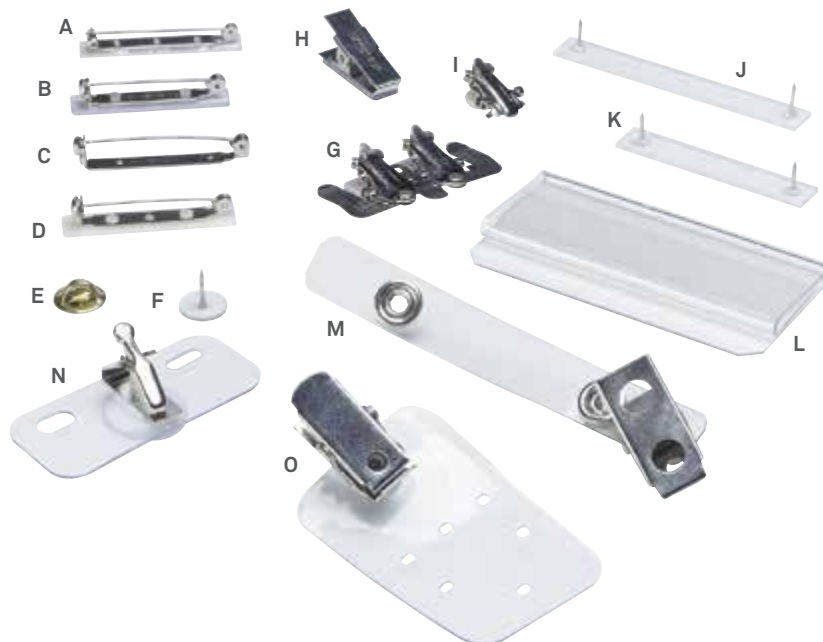
Description	Part Number
A. 1-1/2" Clear pin (steel) with ABS base	DMPIN
B. 1-1/2" safety pin (silver)	36104
C. 1" Safety pin (silver)	36099
D. 1-1/2" Safety pin (white)	DMPIN2
E. Swivel metal bulldog clip	36106
F. Super clip	36117
G. 2-3/4" Ribbon bar	35689
H. 2" Ribbon bar	35691
I. 2" Military plastic clutchback pin	DMPIN3
J. Badge tack	35687
K. Drapery pin	36102
L. Synthetic clutch (pack of 100)	35970
M. Brass clutches	19351



## Classic badge hardware

Hardware is nickel-plated brass. Features clear plastic backing to make bonding quick and easy without GravoBond (see adhesive). Anti-tarnish finish protects fabric from discolouration. Choose the material colour, ply and thickness for fabricating badge blanks.

Description	Part Number
A. 1" Safety pin (white)	36090
B. Brass safety pin import (pack of 100)	19345
C. Safety pin for Phenolic only with no plastic backing	36071
D. Metal safety pin USA	36089
E. Brass clutches	19351
F. Tacks	35686
G. Snap clip w/ plastic back	30361
H. Metal bulldog clip for badge blanks 1" or higher	36092
I. Swivel clip w/ plastic back	19346
J. 2-3/4" plastic ribbon bar	35688
K. 2" Plastic ribbon bar	35690
L. Clear acrylic badge holder	35693
M. Spring clip with 3-1/2" Photo ID strap (pack of 100)	36100
N. Badge adapter w/ alligator clip	36097
O. Adapter w/ pearlized snap and spring clip (pack of 100)	36252



## Pressure-sensitive hardware

### Magnetic closures

The following items are listed in ascending order of magnetic strength.

Description	Part Number
A. Single magnetic clip	36119
B. Double magnetic clip	36118
C. Triple post magnetic clip	36113
D. Double post magnetic clip	36112
E. Economy badge magnet	36109
F. Poly badge magnet	DMMAGNET
All magnetic closures come with the pressure-sensitive adhesive backing.	

