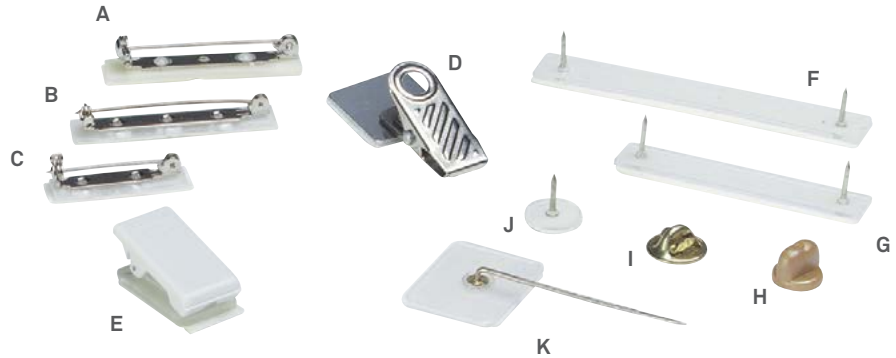


Badge Hardware

Pressure-sensitive hardware

We offer our best-selling and new hardware with pressure-sensitive adhesive backing. Simply peel back the liner, and the adhesive bonds to the badge blank without chemical or heat fusing.

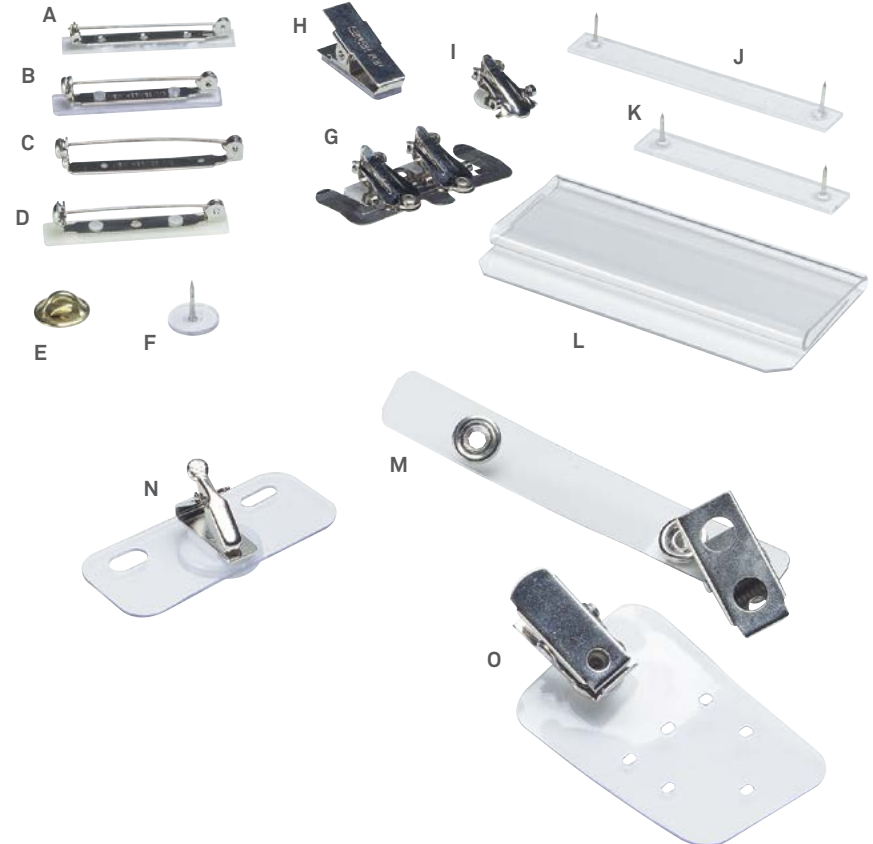
Description	Part Number
A. 1-1/2" clear pin (steel) with ABS base	36103
B. 1-1/2" safety pin (silver)	36104
C2. 1" safety pin (silver)	36099
D. Swivel metal bulldog clip	36106
E. Super clip	36117
F. 2-3/4" ribbon bar	35689
G. 2" ribbon bar	35691
H. Synthetic clutch (pack of 100)	35970
I. Brass clutches	19351
J. Badge tack	35687
K. Drapery pin	36102



Classic badge hardware

Hardware is nickel-plated brass. Features clear plastic backing to make bonding quick and easy without GravoBond (see adhesive). Anti-tarnish finish protects fabric from discoloration. Choose the material color, ply and thickness for fabricating badge blanks.

Description	Part Number
A. 1" safety pin (white)	36090
B. Brass safety pin import	19345*
C. Safety pin for Phenolic only with no plastic backing (not shown)	36071
D. Metal safety pin USA (not shown)	36089
E. Brass clutches	19351
F. Tacks	35686
G. Snap clip w/ plastic back	30361
H. Metal bulldog clip for badge blanks 1" or higher	36092
I. Swivel clip w/ plastic back	19346
J. 2-3/4" plastic ribbon bar	35688
K. 2" plastic ribbon bar	35690
L. Clear acrylic badge holder	35693
M. Spring clip with 3-1/2" Photo ID strap (pack of 100)	36100
N. Badge adapter w/ alligator clip	36097
O. Adapter w/ pearlized snap and spring clip (pack of 100)	36252



*minimum purchase of 100 is required