

Modular Frame System

Designed for interior signage. Frame construction provides flexibility for installations and sign inserts. Signs change over easily. Sign inserts fit securely into frames with a snap lock mechanism. Frames and inserts are tamper-resistant.

I. Modular frame directory

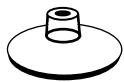
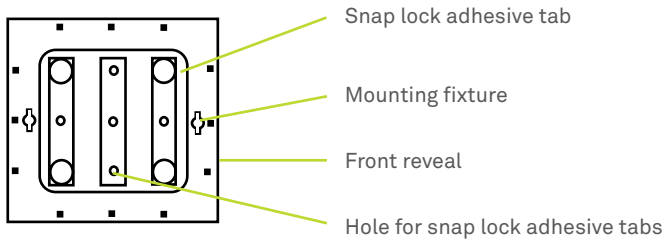
A. The header and base are 3" x 18", sold as a set. Insert panels are 2" x 18", sold separately.

B. Use as many insert panels as necessary to create the desired directory size. Snap locks and hardware included.

See chart on page 61 for part numbers.

II. Ceiling/wall mount

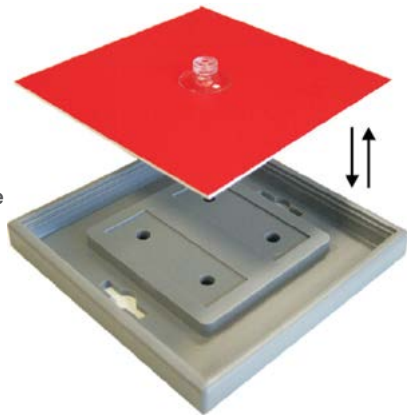
C. Designed to mount modular frames perpendicular to walls and ceilings. Instructions included.



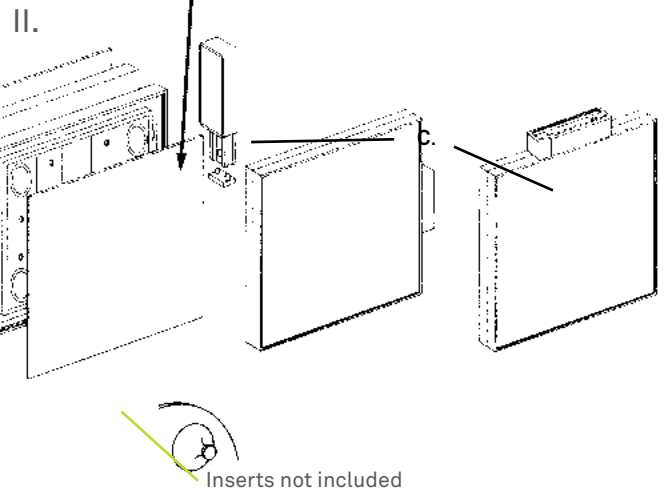
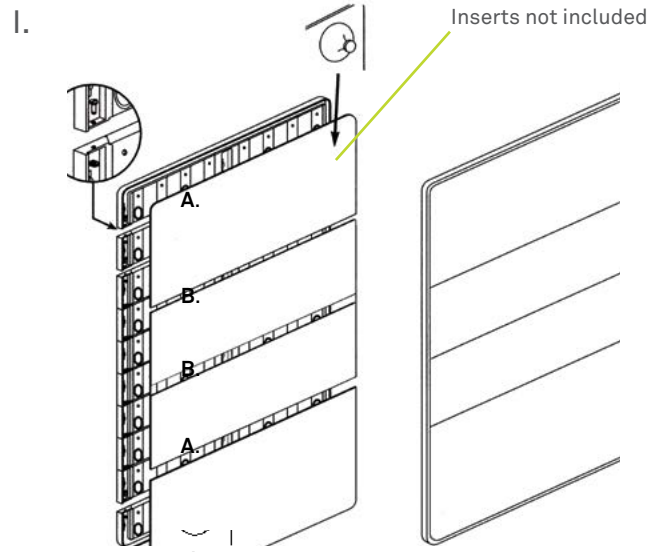
Suction cup
3/4" diameter 36351



Snap lock with adhesive
Set of 12 36352



When fabricating sign inserts, allow .005" to .010" for expansion and contraction of integrated materials.



Frame design

Feature 2 reveals. The front reveal gives sign inserts a recessed look. The back reveal provides a projected appearance.

Snap lock mechanism

Positive locking snap locks fit securely into the frame hole. Each snap lock has a pressure-sensitive adhesive tab to hold insert in place. The exclusive hole placement and snap lock system provides design flexibility for sign inserts.

Mounting

Pre-grooved back reveal ensures tape concealment. Mounting holes accommodate standard hardware for various types of wall installations.

Frame format

All frames, directories and deskbars except white, navy and taupe are available in round and square corners, and accommodate sign inserts which allow the maximum yields from our 24" x 48" standard sheet sign materials.

Custom modular frames

We offer white, black, almond, navy, taupe, gray and brown. Custom colors and sizes are available. Subject to minimum order requirements.