

Aluminum Modular Frame System

Aluminum frames incorporate “picture frame technology” for incredible flexibility with unlimited sizing. Pre-cut lengths are stocked in many sizes for quick assembly.

Custom sizes are available at no extra charge. Perfect for indoor or outdoor signage. Available in 2 edge designs and 3 colors. Frame legs are sold in pairs, complete with corner attaching hardware. You will need 2 pairs to complete a frame. This unique construction method will allow you to offer countless size combinations to your customers, with minimal inventory. The 17 sizes available will allow you to create over 150 different sign frame dimensions.

For example, if you want a 4” x 10” frame, simply purchase one of part number 34717 (4” paid or silver 100 series) and one of part number 34723 (10” pair of silver 100 series). You will receive everything you need to construct a silver 4” x 10” thin edge frame. For only \$1 per frame, we will construct them for you.

Two Edge Styles

SERIES 100

Features a thin edge with the sign insert recessed into the frame.

FEATURES

- . Custom sizing
- . Lightweight and durable
- . Frames can accept a variety of substrates; aluminum, plastics, etc...

SERIES 200

Features a 3/16” radius edge design that matches our high-impact styrene frames and a front reveal that allows the sign insert to have a slightly recessed appearance.

- . Sign inserts are easily changeable and can be modular
- . Concealed mounting
- . Easy installation with either screws, tape, or Velcro
- . Easy sign removal for building maintenance such as painting walls



SUPPORT BRACKETS

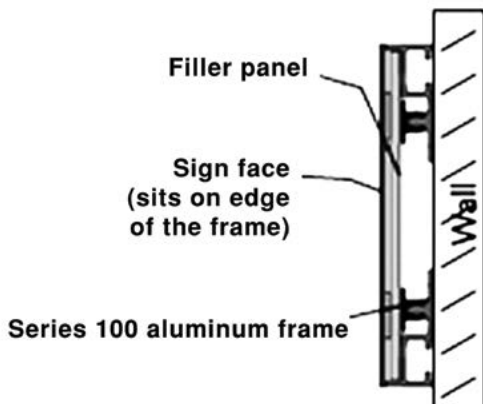
Support brackets are available for use with larger signs and when modular sign inserts are used. Support brackets are available in frame sizes.

SNAP LOCK MECHANISM

Each snap lock has a pressure sensitive adhesive tab to hold the sign face securely in place within the frame and provide tamper-resistant signage. Snap locks allow for easy sign face insertion, removal, and replacement.

MOUNTING

Frame back is designed for tape concealment. Mounting holes can be added to accommodate standard hardware for various types of installations.



Use the series 100 Framing System for “the frameless look”. Cut filler piece of material to fit inside the frame - adhere larger shape to filler piece to hide edges of frame. Use snap locks on filler piece to hold into frame.

